

Economite Legacy Series

EC200 & EC300

Power Gas Burners

Midco International is proud to announce an addition to its legendary Economite Power Gas Burner line. The standard Economite EC Series Power Gas Burners are engineered to match a wide variety of applications or customized to meet OEM applications. The compact design not only meets or exceeds industry standards; it also packs a lot of power for its size. Sheet metal construction affords high volume production and shorter lead times giving you a better-cost value ratio. Each unit is fully assembled and factory fire tested assuring you a high quality performance product. Installation is effortless with our integrated junction box and universal mounting flange.



Economite Legacy Series EC200

Space Saving Design

Rock Solid

Packed with Power

All Rolled into One Great Burner!

Quality Designed for Proven Performance



Specifications

Model Number	Minimum Input Rating*	Maximum Input Rating*	Gas Connection Pipe Size	Gas Pressure Required Natural or Propane	Diameter of Nozzle	Maximum Nozzle Insertion Depth	Motor HP	Design Certifications or Listed by	Primary Safety Voltage	Shipping Weight
EC200	70,000*	200,000*	3/4" NPT	6.0" to 14.0" W.C	4.0"	6.0"	1/22	U.L./C.U.L Listed	24V	14.5lb
EC300	90,000*	300,000*	3/4" NPT	6.0" to 14.0" W.C	4.0"	6.0"	1/12	U.L./C.U.L Listed	24V	15.5lb

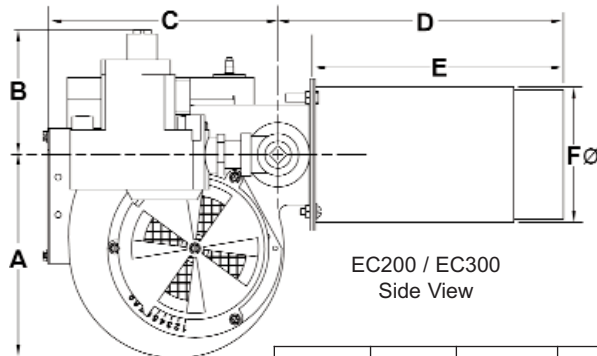
*BTU/HR

Electrical Supply:

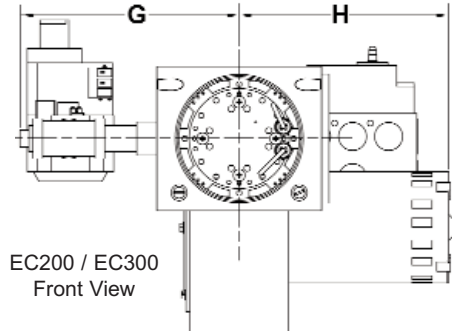
Flame Safety: Direct Spark Ignition with 100% shut-off, 30 second pre-purge, 3 Function Redundant 1/2"NPT Main Automatic Gas Valve

120/1/60, 3 AMP (Standard)
230 Volt 50/60HZ (Available - Contact Factory)

The EC Series is available as a fully assembled power burner with an integrated burner control system. For further information please contact sales@midco-intl.com



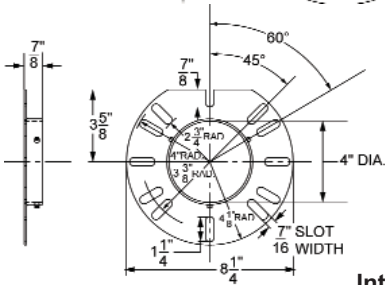
EC200 / EC300 Side View



EC200 / EC300 Front View

	A	B	C	D	E	F	G**	H
EC200	5 5/16"	3 11/16"	7 1/2"	8 5/8"	7 1/2"	Ø 4"	6 13/16"	6 13/16"
EC300	6 9/16"	3 11/16"	8 1/4"	8 5/8"	7 1/2"	Ø 4"	6 13/16"	9"

** Approximate



Universal Mounting Flange

Features and Benefits

The EC-200 / EC-300 Technology Provides . . .

- ... **Interchangeable Stainless Steel Burner Retention Heads**
 - compatibility to different applications
 - operation under variable draft or positive pressure condition
 - firing into small combustion chambers
- ... **Integrated Direct Spark Ignition System with Pre-Purge**
 - compliance with ANSI Z21.20 standard
 - timed pre-purge clears the combustion chamber before ignition cycle
 - proper sequencing of the burner operation
- ... **Light and Compact Removable Burner Assembly from the Burner Tube and Flange**
 - ease of serviceability and correct burner alignment
- ... **Pre-Piped, Pre-Wired, Factory Fired Tested**
 - ease of installation
 - reliable operational sequence
- ... **Compact Design and Small Footprint**
 - light weight for lower shipping cost
 - space saving
- ... **Universal Mounting Flange**
 - Application flexibility
 - universal bolt pattern
 - OEM welded flange available
- ... **Air Shutter Positive Lock Fitting**
 - no shifting of air shutter caused by vibration
 - reduction of unauthorized adjustment
- ... **Adjustable External Air Shutter with Indication**
 - visual indication of air shutter position
 - faster burner set up
- ... **Field Convertible Triple Function Redundant Gas Valve**
 - can use either Natural or LP gas
 - one valve to stock for servicing
- ... **Permanently Sealed Ball Bearing Motor**
 - Quiet and maintenance free



Midco
INTERNATIONAL

Midco International Inc.
4140 West Victoria Street
Chicago, Illinois 60646
tel 773.604.8700
fax 773.604.4070
web www.midco-intl.com
email sales@midco-intl.com

Whether you purchase an 'off the shelf' unit or have us create one to fit your needs, you can be assured of having purchased the finest combustion power gas burner in the industry. Do you need assistance in burner selection, installation or service? Just call Midco International direct today or visit our web site at www.midcointernational.com and locate your local representative to find out more about our Economite EC Legacy Series burners.